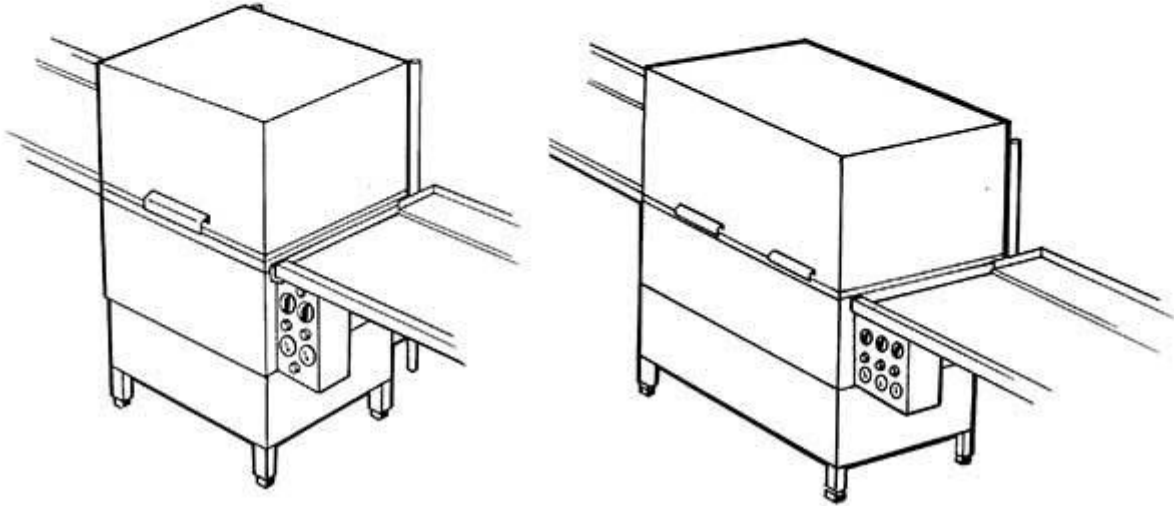


winterhalter

Spare Parts GS 80 / 100

Revised 10/04

Part no. 89000595



Summary

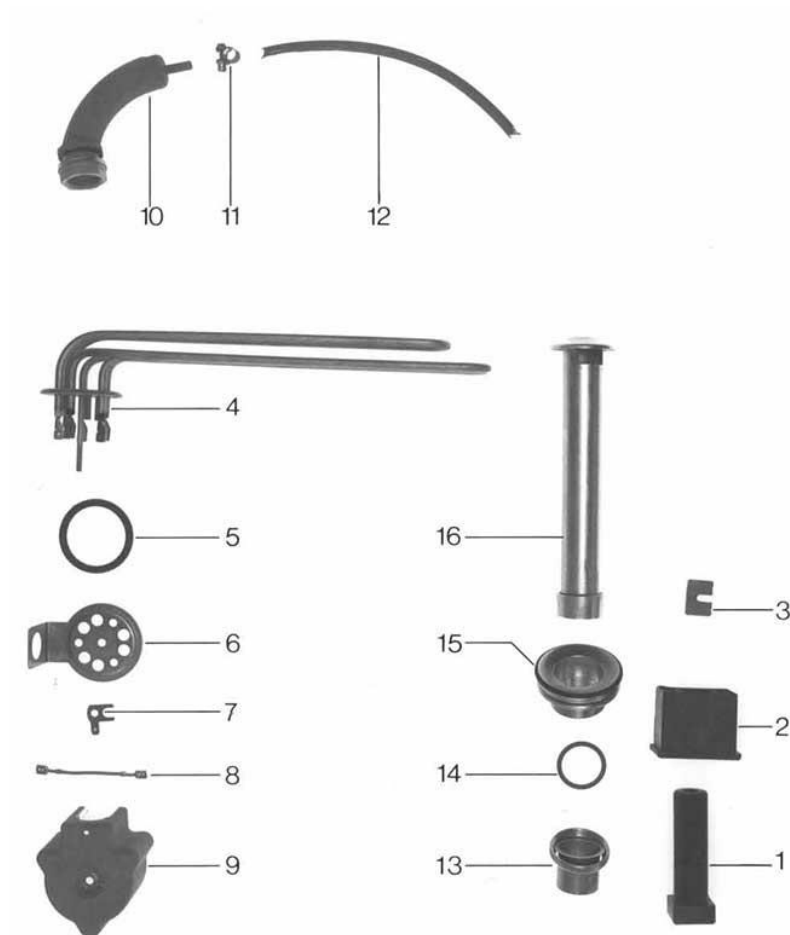
| | |
|---|----------------|
| Base frame, panel, tank heating, drain | Page 1 and 2 |
| Water supply | Page 3 and 4 |
| Wash system | Page 5 and 6 |
| Boiler, rinsing | Page 7 and 8 |
| Hood, frame, guide box | Page 9 and 10 |
| Electrical parts | Page 11 and 12 |

Parts that have the note "Part made to order only!" are not in stock. This parts are made specially for your order and have a delivery time. They are not returnable.

Racks and accessories see separate list.

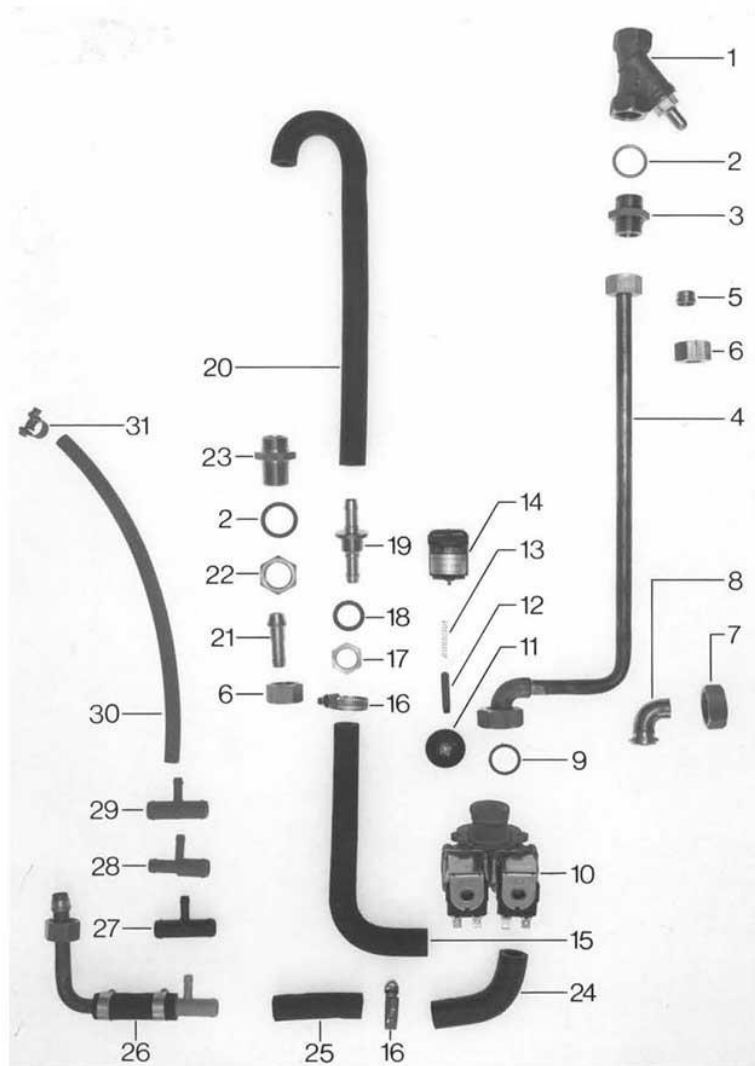
GS 80 / 100

Untergestell, Verkleidung, Tankheizung, Ablauf
Base frame, panel, tank heating, drain
Châssis, habillage, chauffage de la cuve, écoulement



GS 80 / 100

**Wassenzulauf,
Water inlet,
Amenée d'eau,**

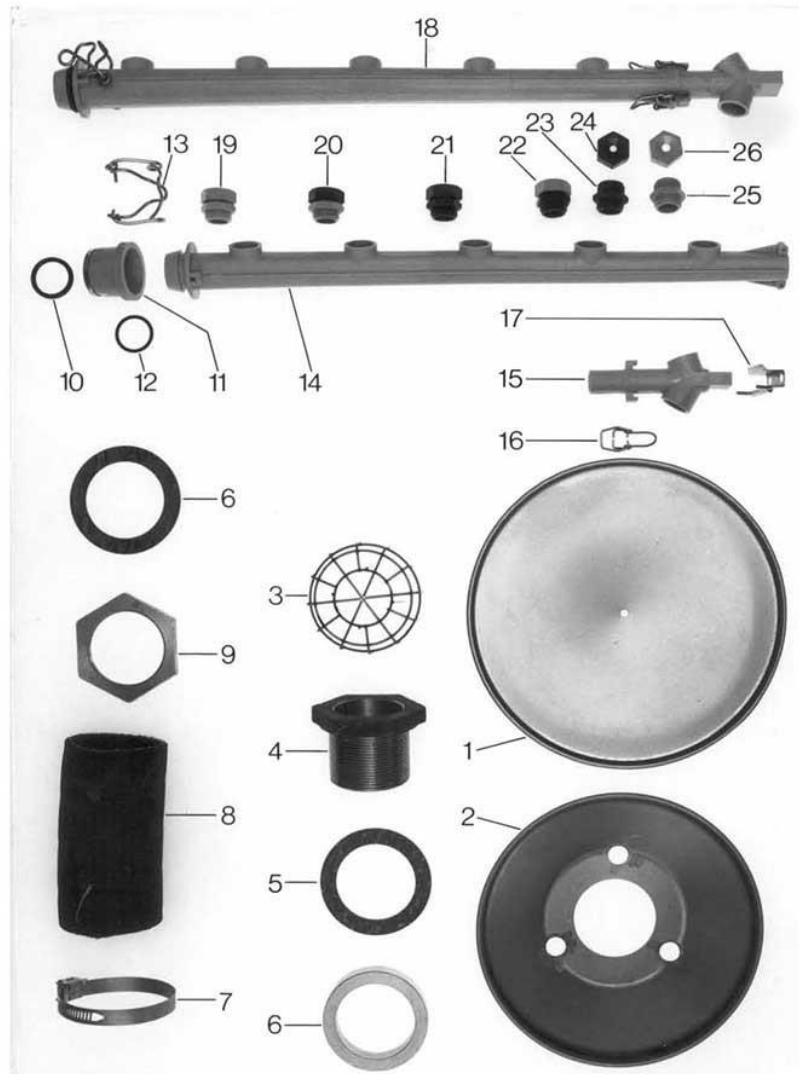


GS 80 / 100 - Water supply

| Pos. | Designation | Part no. | 80 | 100 | Notes |
|------|--------------------------------|-----------|----|-----|---------------------|
| 1 | Slanted seat non return valve | 29 03 230 | x | x | |
| 2 | Seal 27 x 21 x 2 | 27 04 006 | x | x | |
| 3 | Double nipple 1/2" BSP | 70000459 | x | x | |
| 4 | Water supply | 55 28 231 | x | | since 11/72 |
| n.p. | Water supply | 55 28 231 | | x | since 10/72 |
| 5 | Cutting ring ø 12 | 29 07 300 | x | x | |
| 6 | Coupling nut 1/2" BSP | 29 07 201 | x | x | |
| 7 | Coupling nut 3/4" BSP | 29 07 203 | x | x | |
| 8 | Connection elbow | 29 06 221 | x | x | |
| 9 | Seal 24 x 19,5 x 1,5 | 27 09 010 | x | x | |
| 10 | Double solenoid valve | 31 06 182 | x | x | |
| n.p. | Plastic bottom part | | x | x | Replaced by pos. 10 |
| 11 | Diaphragm | | x | x | |
| 12 | Plunger | | x | x | |
| 13 | Spring | | x | x | |
| 14 | Magnetic coil 220-240V 50-60Hz | | x | x | |
| 15 | Inlet hose | 40 03 003 | x | x | |
| 16 | Hose clip 14-22 | 28 02 301 | x | x | |
| 17 | Locking nut 3/8" BSP | 30 09 200 | x | x | |
| 18 | Seal 24 x 17 x 2 | 27 09 009 | x | x | |
| 19 | Double hose nipple 3/8" BSP | 29 06 211 | x | x | |
| 20 | Tank inlet | 40 03 007 | x | x | |
| 21 | Hose nipple ø 12 | 29 06 210 | x | x | for old machines |
| 22 | Locking nut 1/2" BSP | 30 09 201 | x | x | |
| n.p. | Detergent hose ø 9 | 40 01 024 | x | x | per metre |
| n.p. | Hose clip ø 9 | 28 02 348 | x | x | |
| 23 | Double nipple 1/2" BSP | 30 11 301 | x | x | for old machines |
| 24 | Hose elbow | 40 03 001 | x | x | |
| 25 | Fabric hose 13 x 3,5 | 40 02 029 | x | x | per metre |
| 26 | Boiler inlet elbow | 55 09 054 | x | x | since 11/87 |
| n.p. | Boiler inlet elbow CNS | 55 09 041 | x | x | since 11/71 |
| n.p. | Boiler inlet elbow | 55 09 011 | x | x | until 11/71 |
| 27 | T-piece black | 35 01 086 | x | x | |
| 28 | T-piece grey | 35 01 087 | x | x | |
| 29 | T-piece grey | 35 01 087 | x | x | diffuser |
| 30 | Hose 5 x 3 | 40 01 024 | x | x | per metre |
| 31 | Hose clip ø 11 | 28 02 348 | x | x | |
| n.p. | ELT 20 dispenser | 55 28 278 | x | x | |
| n.p. | Fixing kit ELT 10 | 55 25 029 | x | x | |
| n.p. | Dispenser container 3 l | 35 02 004 | x | x | |
| n.p. | Cap blue | 35 02 023 | x | x | |
| n.p. | Suction pipe | 61000693 | x | x | |
| n.p. | hose | 40 01 024 | x | x | |

GS 80 / 100

Waschsystem
Wash system
Système de lavage

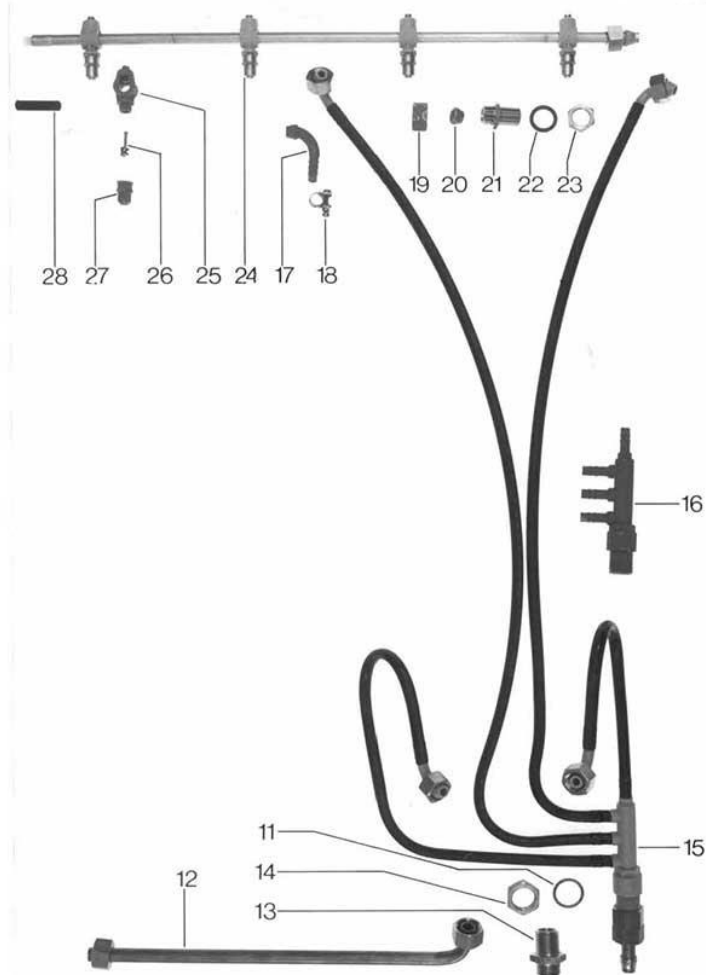


GS 80 / 100 - Wash system

| Pos. | Designation | Part no. | 80 | 100 | Notes |
|------|-------------------------------|-----------|----|-----|-------------------------------------|
| 1 | Pump filter | 55 13 004 | x | x | |
| 2 | Sieve plate | 55 13 011 | x | x | |
| 3 | Coarse filter | 55 13 112 | x | x | since 8/78 |
| n.p. | Coarse filter | 61002500 | x | x | until 8/78 |
| n.p. | Pump 2,7 kW 380 V - new | 55 14 011 | x | x | |
| n.p. | Pump 2,7 kW 420 V - new | 55 14 011 | x | x | |
| n.p. | Sealing kit | 80002672 | x | x | |
| n.p. | impeller D 135 50 Hz | 35 01 135 | x | x | |
| n.p. | impeller D 120 60 Hz | 35 01 140 | x | x | |
| n.p. | Fan blade | 31 01 142 | x | x | Inkl. Clamp for fan blade |
| n.p. | Clamp for fan blade | 31 02 218 | x | x | |
| n.p. | Fan cover | 31 01 143 | x | x | |
| 4 | Pump nipple | 02 30 002 | x | x | |
| 5 | Distance ring | 55 14 022 | x | x | |
| 6 | Seal 85 x 60 x 2 | 27 09 005 | x | x | |
| 7 | Hose clip 62-82 | 28 02 120 | x | x | |
| 8 | Pump hose ø 60 x 140 | 40 02 007 | x | x | Per metre |
| 9 | Locking nut 2" BSP | 30 09 206 | x | x | |
| n.p. | Wash manifold | | x | x | No more available |
| 10 | Seal 33 x 26 x 2,5 | 27 01 003 | x | x | |
| 11 | Ring nut | 35 01 006 | x | x | |
| 12 | O-ring 27-4 | 27 07 016 | x | x | |
| 13 | Wash arm clip | 28 04 040 | x | x | |
| 14 | Wash arm | 61000945 | x | x | |
| 15 | End piece | 35 01 010 | x | x | |
| 16 | End piece locking | 28 04 041 | x | x | |
| 17 | Wash arm support | 55 08 008 | x | x | |
| 18 | Wash arm | 61000945 | x | x | without jets |
| 19 | Wash jet grey/grey | 29 10 520 | x | x | |
| 20 | Wash jet grey/black | 29 10 522 | | x | |
| 21 | Wash jet black/black | 29 10 527 | x | x | |
| 22 | Wash jet black/grey | 29 10 528 | x | x | |
| 23 | Wash jet base black | 29 10 529 | x | x | |
| 24 | Wash jet cap ø 5 black | 29 10 526 | x | x | |
| 25 | Wash jet base grey | 29 10 523 | x | x | |
| 26 | Wash jet cap ø 6 grey | 29 10 524 | x | x | |
| n.p. | Angle 90° 2" | 30 02 003 | x | x | |
| n.p. | Nipple 2" x 50, with 1 thread | 30 13 302 | x | x | + 18 cm 4002007 |
| n.p. | Wash manifold | 55 07 053 | | x | better spray pattern for deep parts |
| n.p. | Reduction hose Mediamat | 40 03 037 | | x | |
| | | | | | |

GS 80 / 100

**Boiler, Nachspülung
Boiler, rinsing
Surchauffeur, rinçage**

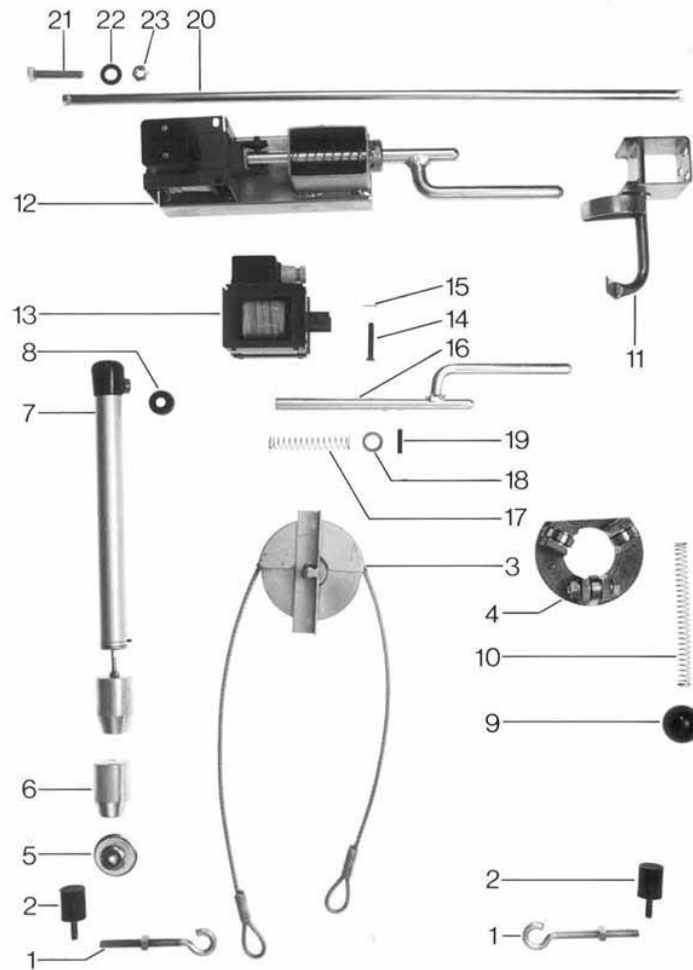


GS 80 / 100 - Boiler, rinsing

| Pos. | Designation | Part no. | 80 | 100 | Notes |
|------|-------------------------------------|-----------|----|-----|----------------------------|
| 1 | Boiler 6kW and 12 kW, 480 lg | 55 12 032 | x | x | ab 6/84 |
| n.p. | Boiler 6 kW und 12 kW, 370 lg | 55 12 023 | x | x | bis 5/84 |
| 2 | Hose clip 182-202 | 28 02 121 | | x | |
| 3 | Hexagon bolt M 10 x 1 | 20 01 352 | x | x | |
| 4 | Seal 15 x 8 x 2,5 | 27 09 001 | x | x | |
| 5 | Heating element 6 kW 220/380 V | 31 03 017 | x | x | |
| n.p. | Heating element 6 kW 240/420 V | 31 03 043 | x | x | |
| 6 | O-ring | 27 07 069 | x | x | |
| 7 | Clamping ring with angle | 55 19 018 | x | x | |
| 8 | Link wire | 31 23 088 | x | x | |
| 9 | Covering cap | 31 03 014 | x | x | |
| 10 | Double nipple 1/2" | 70000459 | x | x | |
| 11 | Seal 27 x 21 x 2 | 27 04 006 | x | x | |
| 12 | Rinse connection | 55 11 037 | x | x | since 11/72 |
| n.p. | Rinse inlet left | 55 11 016 | | x | until 9/72 |
| n.p. | Rinse inlet right | 55 11 015 | x | x | until 9/72 |
| n.p. | Coupling nut 1/2" | 29 07 201 | x | x | |
| 13 | Double nipple 1/2" | 30 11 301 | x | x | |
| 14 | Locking nut 1/2" | 30 09 201 | x | x | |
| 15 | Rinse manifold cpl. right | 55 09 004 | x | x | |
| n.p. | Rinse manifold cpl. right rigid CNS | 61001653 | x | x | |
| n.p. | Rinse manifold cpl. left | 55 09 005 | | x | |
| n.p. | Rinse manifold cpl. left rigid CNS | 61001652 | | x | |
| 16 | Manifold | 35 01 023 | x | x | |
| n.p. | Tecalan pipe 10 x 8 | 40 01 002 | x | x | per metre |
| 17 | Hose angle ø 10 | 29 06 500 | x | x | |
| 18 | Hose clip ø 10 | 28 02 102 | x | x | |
| 19 | Coupling nut 3/8" BSP | 29 07 200 | x | x | |
| 20 | Clamping ring ø 10 | 29 07 500 | x | x | |
| 21 | Double nipple 3/8" | 30 11 200 | x | x | |
| 22 | Seal 24 x 17 x 2 | 27 09 009 | | x | |
| 23 | Locking nut 3/8" | 30 09 200 | x | x | |
| 24 | Rinse pipe 492 lg. | 55 10 019 | x | x | Top and bottom |
| n.p. | Rinse pipe 613 lg. elbowed | 61001824 | | x | with rigid manifold top |
| n.p. | Rinse pipe 613 lg. elbowed | 61004035 | | x | with rigid manifold bottom |
| 25 | Hinged piece | 55 10 008 | x | x | |
| 26 | Spray jet swirl | 65002764 | x | x | |
| 27 | Spray jet cap | 65002765 | x | x | |
| 28 | Threaded pin M 10 x 40 | 20 30 501 | x | x | |

GS 80 / 100

Haube, Rahmen, Führungskasten Hood, frame, guide box Capot, cadre, guide du capot

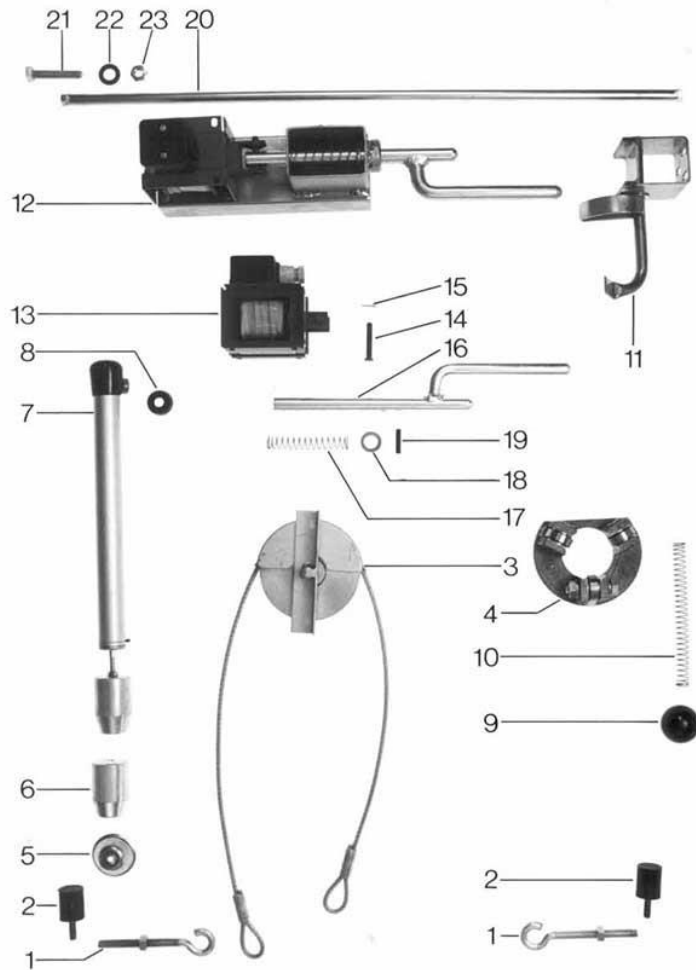


GS 80 / 100 - Hood, frame, guide rail

| Pos. | Designation | Part no. | 80 | 100 | Notes |
|------|-------------------------|----------------------|----|-----|--------------------------|
| 1 | Hook bolt M 8 x 70 | 55 27 183 | x | x | |
| 2 | Rubber buffer M 6 x 18 | 40 06 004 | x | x | |
| n.p. | Guide pipe outside | 55 20 008 | x | x | until 3/88 |
| n.p. | Guide pipe outside | 61001406 | x | x | as from 3/88 |
| n.p. | Guide pipe centre | 55 20 012 | | x | |
| 3 | Rope pulley cpl. | 55 21 002 | x | x | |
| n.p. | Wire cable | 28 06 001 | x | x | until 3/88 |
| n.p. | Wire cable | 28 06 006 | x | x | as from 3/88 |
| 4 | Roller bracket | 55 21 010 | x | x | |
| 5 | Guide cap | 55 22 009 | x | x | |
| 6 | Counterweight | 55 22 008 | x | x | Part made to order only! |
| 7 | Shock absorber cpl. | 55 22 001 | x | x | |
| 8 | Collar | 40 07 004 | x | x | |
| 9 | Ball button | 28 05 010 | x | x | |
| 10 | Pressure spring | 28 04 014 | x | x | |
| 11 | Eccentric cpl. | 55 22 013 | x | x | |
| 12 | Hood release cpl. | 55 22 004 | x | x | |
| 13 | Lifting magnet | 31 07 002 | x | x | |
| 14 | Bolt | 31 07 009 | x | x | |
| 15 | Cotter pin | 31 07 010 | x | x | |
| 16 | Trigger fork | 55 22 015 | x | x | |
| 17 | Spring | 28 04 022 | x | x | |
| 18 | Washer 20/13/1,8 | 22 01 001 | x | x | |
| 19 | Clamping sleeve ø 5 | 26 08 003 | x | x | |
| 20 | Trigger bar | 55 22 018 | x | x | |
| n.p. | Spacer | 55 16 002 | x | x | Part made to order only! |
| n.p. | Hexagon srew to spacer | 20 01 306 | | x | |
| n.p. | Spring washer to spacer | 23 03 300 | | x | |
| 21 | Screw M 8 x 45 | 20 01 303 | x | x | |
| 22 | Washer M 8 | 22 08 505 | x | x | |
| 23 | Nut M 8 | 21 01 305 | x | x | |
| n.p. | Nut M 8 | 21 01 305 | x | x | |
| n.p. | Hood cpl. | 55 20 001 | x | | No more available! |
| n.p. | Hood cpl. | 55 20 002 | | x | No more available! |
| n.p. | Container frame | 55 04 020 | x | | No more available! |
| n.p. | Hood frame | 55 20 004 | x | | No more available! |
| n.p. | Container frame | 55 04 021 | | x | No more available! |
| n.p. | Hood frame | 55 20 005 | | x | No more available! |
| n.p. | Screw | 20 10 312 | x | x | |
| n.p. | Nut | 21 01 202 | x | x | |
| n.p. | Handle | 55 15 028 | x | | |
| n.p. | Ball bearing | 28 01 001 | x | x | To rollers-block |
| n.p. | Hood counterweights | | x | x | |
| n.p. | Weight box | 55 21 008 | x | | Part made to order only! |
| n.p. | Weight box | 55 21 011 | | x | Part made to order only! |
| n.p. | Cover for guide box | 61001493 | x | x | |
| n.p. | Handle | 55 15 041 | | x | |
| | | | | | |

GS 80 / 100

Haube, Rahmen, Führungskasten
Hood, frame, guide box
Capot, cadre, guide du capot



GS 80 / 100 - Electrical parts

| Pos. | Designation | Part no. | 80 | 100 | Notes |
|------|------------------------------|-----------|----|-----|-----------------------|
| 1 | Remote thermometer red 80° | 32 01 017 | x | x | |
| 2 | Remote thermometer green 50° | 32 01 014 | x | x | |
| 3 | Block connection M 14 x 1,5 | 32 01 030 | x | x | |
| 4 | Seal 14,2 x 19,9 x 2 | 27 09 036 | x | x | |
| 5 | Locking nut M 14 x 1,5 | 31 25 002 | x | x | |
| 6 | Sealing cap transparent | 31 24 208 | x | x | |
| 7 | Pressure key button white | 31 24 001 | x | x | rinsing |
| 8 | Pressure switch black | 31 24 002 | x | x | wash |
| 9 | Locking button with spring | 55 19 036 | x | x | |
| 10 | Control switch | 31 24 008 | x | x | |
| 11 | Pilot light | 31 08 002 | x | x | with 31 08 029 |
| 12 | Programme switch | 31 05 100 | x | x | |
| 13 | Change-over switch | 31 24 026 | | x | |
| 14 | Terminal strip 4 sections | 31 09 026 | x | x | No more available |
| 15 | Fuse base 6,3 Amp. | 31 11 057 | x | x | |
| 16 | Fuse insert 6,3 Amp. | 31 11 043 | x | x | |
| n.p. | Fuse insert 10 Amp. | 31 11 093 | | | |
| 17 | Screw cap 6,3 Amp. | 31 11 048 | x | x | |
| 18 | Terminal strip 13 sections | 55 19 070 | x | x | |
| 19 | Earth terminal | 31 09 059 | x | x | |
| 20 | Contactora SLA | 31 04 161 | x | x | |
| 21 | RC link 0,25 µF | 61002141 | x | x | |
| 22 | Thermostat | 31 25 013 | x | x | |
| 23 | Thermostat clip | 55 19 011 | x | x | |
| 24 | Gland | 31 25 001 | x | x | |
| 25 | Locking nut M 14 x 1 | 31 25 002 | x | x | |
| 26 | Level switch green | 31 26 023 | x | x | since 7/85 |
| 27 | Clamping spring | 31 26 001 | x | x | |
| n.p. | Limit switch | 80003235 | x | x | since 3/85 |
| 28 | Magnet limit switch | 31 24 100 | x | x | until 3/85 |
| 29 | Magnet | 31 24 101 | x | x | |
| n.p. | Magnet support | 55 20 013 | x | x | |
| n.p. | Plate for control box | 28 03 229 | | x | Only to rotary-switch |
| | | | | | |
| | | | | | |
| | | | | | |